

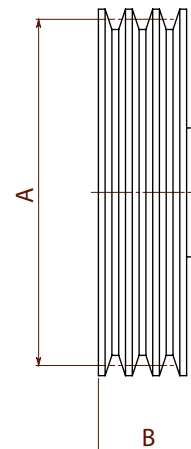
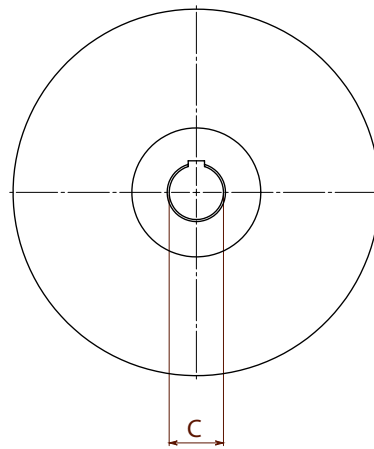


PULLEY FOR BATTIONI PAGANI PUMP

PULEGGIA PER POMPE BATTIONI PAGANI /

À POULIE BATTIONI PAGANI POMPE/

PUMPE RIEMENSCHLEIBE BATTIONI PAGANI

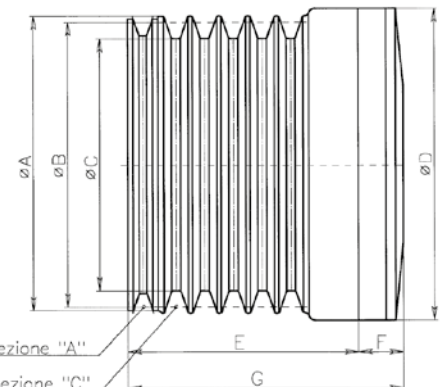
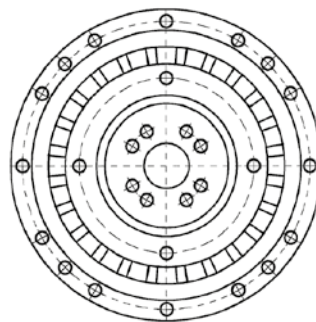


Code	Model	A	B	C	Type throat	Number throat	Kg	Article
4010001030	MEC 2000/4000	Ø 250	50	Ø 30	SPB	2	6,9	2009/A
4010001031	MEC 5000/8000	Ø 300	65	Ø 32	SPC	2	17	2009/B
4010001033	MEC 9000/13500	Ø 300	90	Ø 32	SPC	3	25	2009/C
4010001032	SE/STAR/WPT	Ø 300	90	Ø 40	SPC	3	25	2009/D

PULLEY WITH PNEUMATIC CLUTCH

PULEGGIA E FRIZIONE PNEUMATICA / POULIE AVEC EMBRAYAGE PNEUMATIQUE /

RILLENSCHEIBE MIT DRUCKLUFTKUPPLUNG



1 Gola sezione "A"
5 Gole sezione "C"

Code	Model	Clutch	ØA	ØB	ØC	ØD	E	F	G	Kg	Article
6080200034	WPT	GA50FF	261.4	250	221.4	276	175	67	242	64	2007/A
6080200041	KTS-KTM 1200/1500	GA50FF	261.4	250	221.4	276	175	67	242	64	2007/D
6080200035	KTM 1800-2300	GA100AF	261.4	250	221.4	350	178	82	260	80	2007/B
6080200036	WSM 2700-3300	GA100AF	326.4	315	286.4	350	178	82	260	100	2007/C
5021000001	PNEUMATIC CLUTCH GA50FF / FRIZIONE PNEUMATICA GA50FF									11.5	2901/5
5021000002	PNEUMATIC CLUTCH GA100AF / FRIZIONE PNEUMATICA GA100AF									26	2901/10