

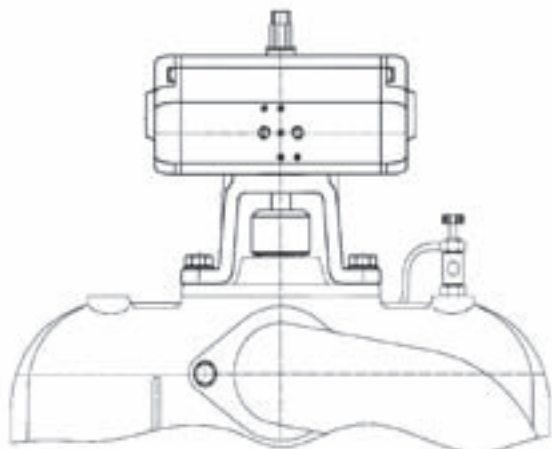
PNEUMATIC REVOLVING HOUSING

CILINDRO ROTATIVO PNEUMATICO – PLUS / CYLINDRE PNEUMATIQUE ROTATIF

/PNEUMATISCHER SCHALTUNGSZYLINDER



Battioni®
Pagani
Pompe

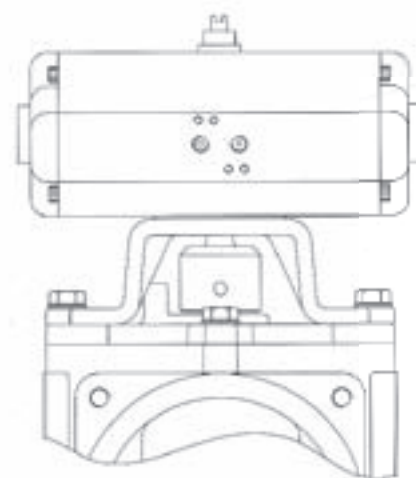


NOMINAL VALUES PNEUMATIC REVOLVING HOUSING:

- PRESSURE RATING MAX 10 bar
- TEMPERATURE RANGE -20°C TO +85°C FOR STANDARD VERSION (NBR)

VALORI NOMINALI CILINDRO ROTATIVO PNEUMATICO:

- PRESSIONE MASSIMA UTILIZZO 10 bar
- TEMPERATURA DA -20°C A +85°C PER LA VERSIONE STANDARD (NBR)

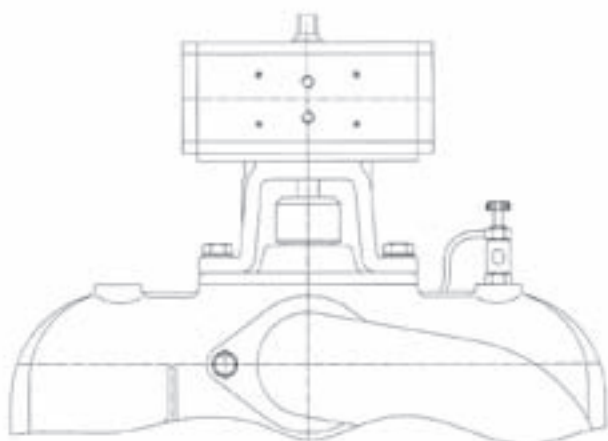


Code	Model	Max Pressure	Kg	Torque output 8 bar	Article
6080200106	SE 10000-12000 / WPT	8 bar	2.8	74 Nm	4101/1
6080200160	MEC 2000-3000-4000	8 bar	2.8	74 Nm	2201/2
6080200114	MEC 5000-6500-8000	8 bar	2.8	74 Nm	4101/3
6080200116	STAR / WPT U.L. KTS / MEC 9000-13500	8 bar	2.8	74 Nm	4101/5
6080200107	RUBINETTO 3-4 VIE	8 bar	2.8	74 Nm	4101/2

PNEUMATIC REVOLVING HOUSING PLUS

CILINDRO ROTATIVO PNEUMATICO – PLUS / CYLINDRE PNEUMATIQUE ROTATIF

PLUS / PNEUMATISCHER SCHALTUNGSZYLINDER PLUS

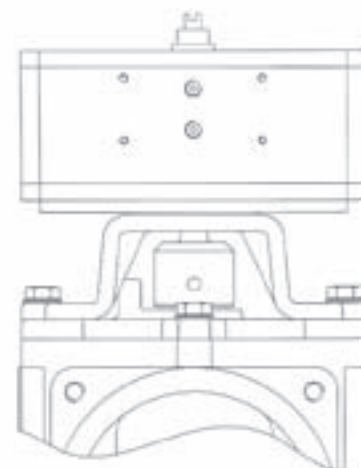


NOMINAL VALUES PNEUMATIC REVOLVING HOUSING PLUS:

- PRESSURE RATING MAX 8.4 bar
- TEMPERATURE RANGE -20°C TO +85°C FOR STANDARD VERSION (NBR)

VALORI NOMINALI CILINDRO ROTATIVO PNEUMATICO PLUS:

- PRESSIONE MASSIMA UTILIZZO 8.4 bar
- TEMPERATURA DA -20°C A +85°C PER LA VERSIONE STANDARD (NBR)



Code	Model	Max Pressure	Kg	Torque output 8 bar	Article
6080200048	MEC 5000-8000	8 bar	5.0	64.3 Nm	2201/5
6080200050	SE/WPT	8 bar	5.5	64.3 Nm	2201/10
6080200085	AGRI/STAR/KTS WPT U.L./MEC 9000-13500	8 bar	5.5	64.3 Nm	2201/13
6080200108	RUBINETTO 3/4 VIE	8 bar	2.8	64.3 Nm	5001