



RUBBER COUPLING JOINT

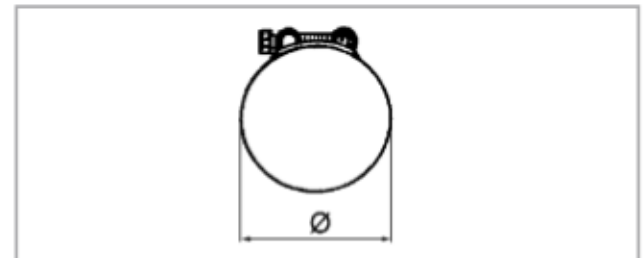
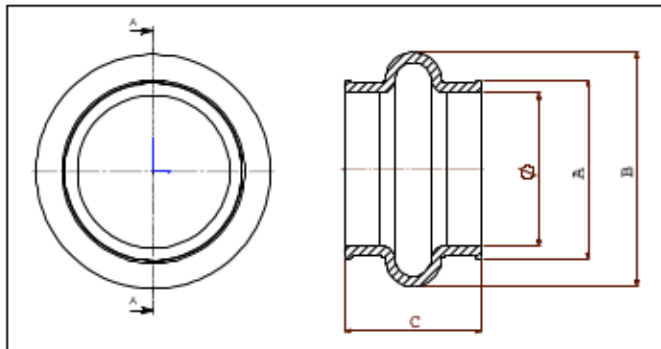


FEATURES

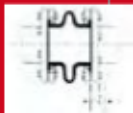


WORKING CONDITIONS

PRESSURE = 1.5 BAR (22 PSI)

TEMPERATURE = 15°C / +60°C



CODE	Ø	Kg	Article
5060410100	120	0.165	3601/F
5060410101	160	0.320	3601/G

Code	Ø	A	B	C				Kg	Article
5060010004	150	177	230	135	-15 +10 mm	8 mm	10°	1.1	1101/G
5060010002	200	228	280	150	-15 +10 mm	8 mm	10°	1.4	1101/H