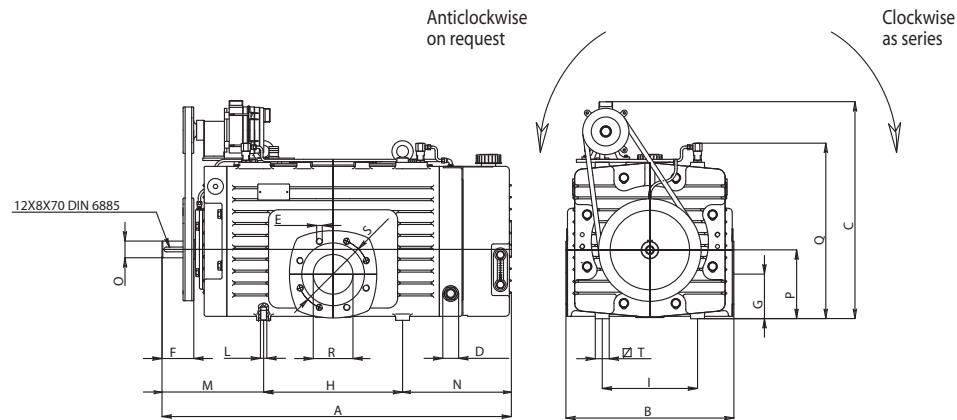
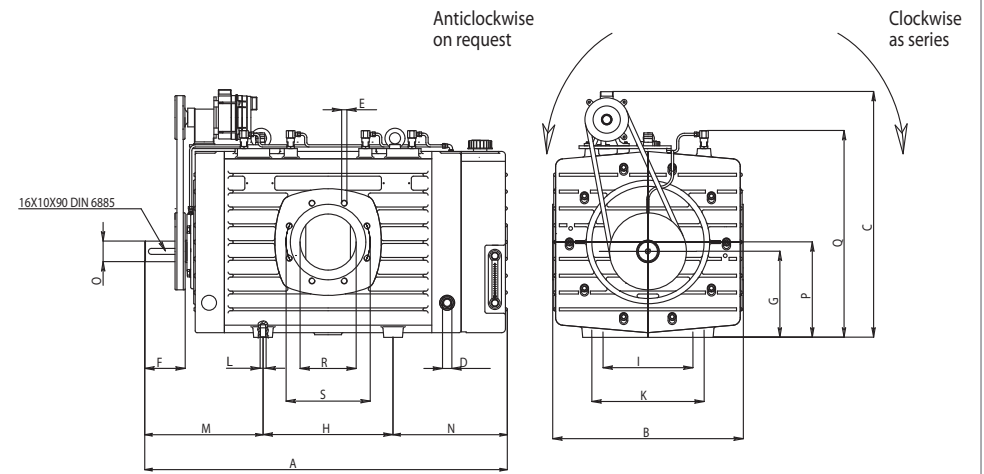


KTM PFR 1200 - 1500


		A	B	C	D	E	F	G	H	I	L	M	N	O	P	Q	R	S	T
KTM 1200 PFR	mm	870	420	546	3/4"	M16	80	115	350	240	M16	250	270	Ø42	180	446	100	180	35
KTM 1500 PFR		980	420	546	3/4"	M16	80	115	350	240	M16	305	325	Ø42	180	446	100	180	35

KTM PFR 1800 - 2300


		A	B	C	D	E	F	G	H	I	K	L	M	N	O	P	Q	R	S
KTM 1800 PFR	mm	980	510	660	3/4"	M16	110	230	350	240	300	M16	320	310	Ø55	255	550	150	225
KTM 2300 PFR		1075	510	660	3/4"	M16	110	230	350	240	300	M16	367,5	357,7	Ø55	255	550	150	225