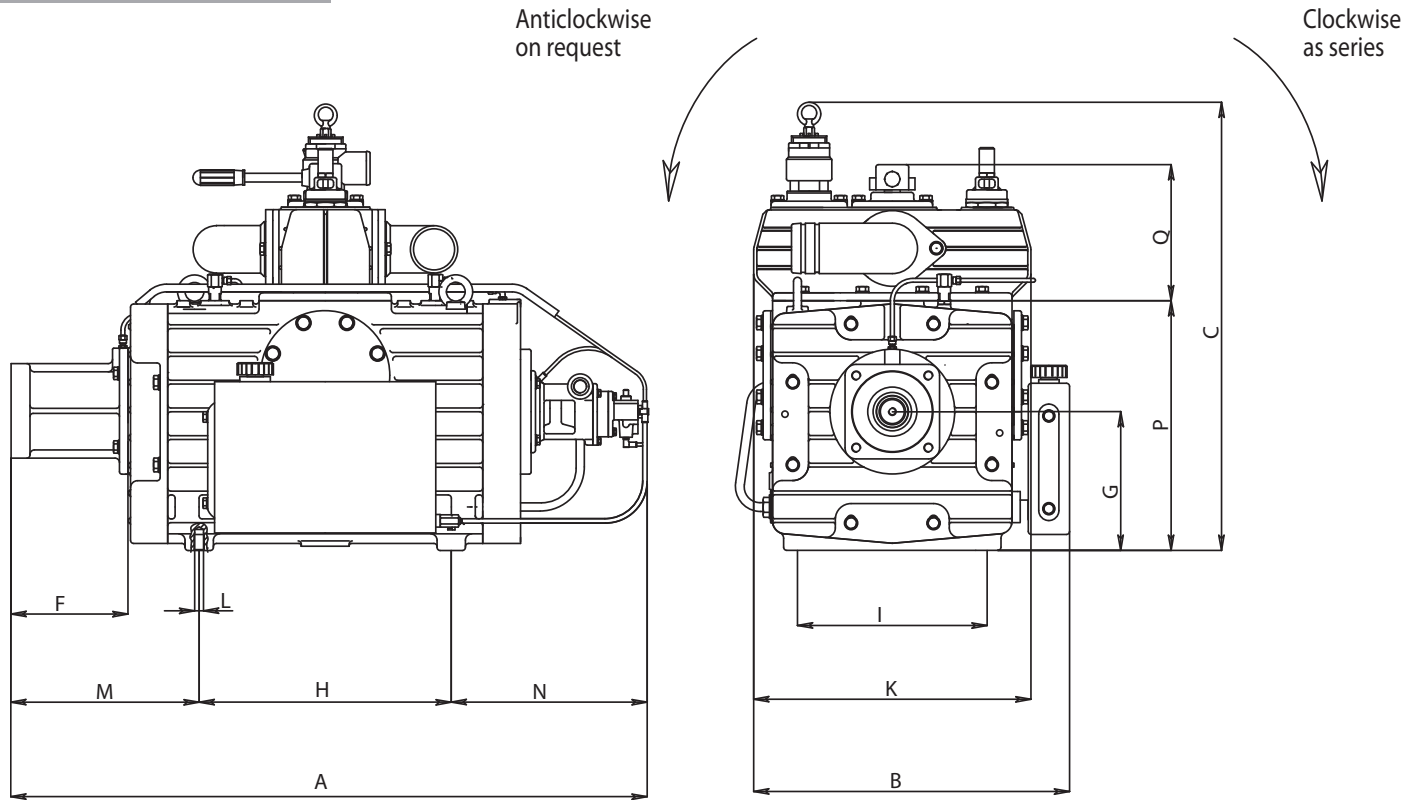




KTS HFR-C



		A	B	C	F	G	H	I	K	L	M	N	P	Q
KTS/HFR 840-C		1014	505	711	185	220	400	300	440	M16	311	303	396	216
KTS/HFR 960-C	mm	1084	505	711	185	220	470	300	440	M16	311	303	396	216
KTS/HFR 1080-C		1154	505	711	185	220	540	300	440	M16	311	303	396	216