

REVOBLOCK

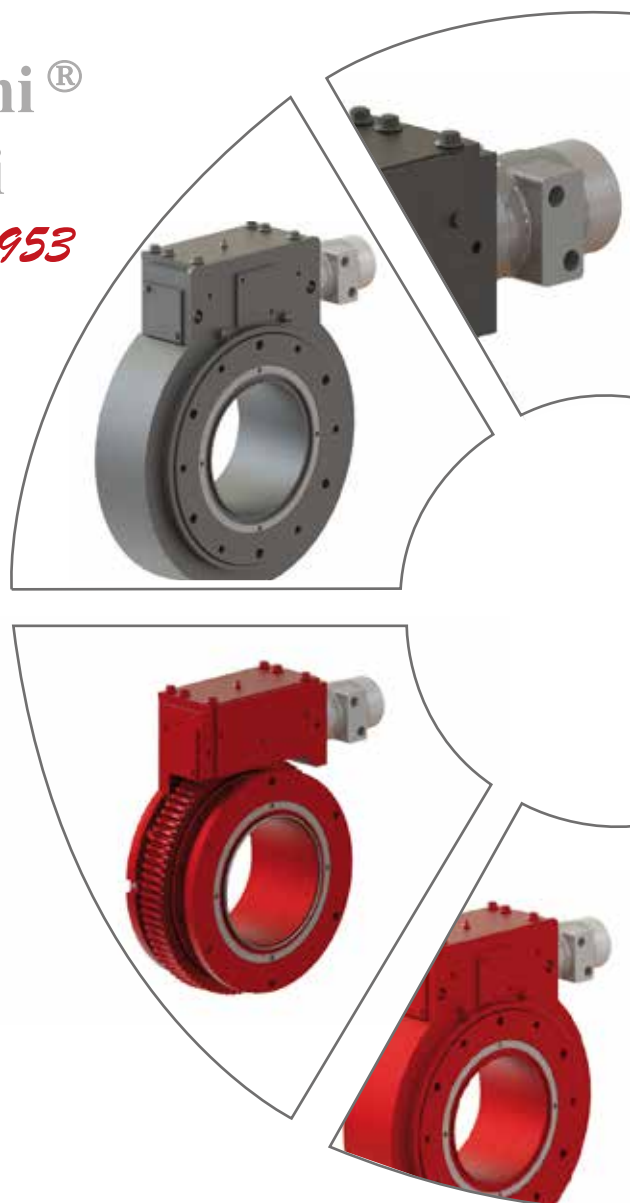
Ø 200 - Ø 250

Technical catalogue
Catalogo tecnico
Technischer Katalog



Battioni®
Pagani

Setting the pace since 1953





REVOBLOCK 07

FEATURES

- WORKING CONDITIONS: PRESSURE = 6 bar (90 psi)
TEMPERATURE = -15°C / +80°C
- HIGH RESISTANCE SPHEROIDAL CAST-IRON
- SUPPLIED WITH 2 O-RINGS FOR COUPLING
- SEALING SECURED BY 1 O-RING - 1 SEAL
- EASY GREASING
- ROTATION OF 360°
- THREAD WITH HIGH WEAR RESISTANCE MODULE
- BRAKE SYSTEM IN CASE OF LACK OF PRESSURE
- ASSEMBLY AS STRUCTURAL ELEMENT, BOTH WITH HORIZONTAL AND VERTICAL AXIS
- SUBJECT TO RISKS ANALYSIS ON LINE EN ISO 14121-1:2007
- TOOTHING COVERING ON REQUEST

HYDRAULIC MOTOR REVOBLOCK 07/10

RANGE OIL TEMPERATURE -30° C +60° C

MAX WORKING PRESSURE HYDRAULIC MOTOR 165 bar (2475 psi)

MAX OIL CAPACITY 60 l/min.

HYDRAULIC MOTOR REVOBLOCK 14

RANGE OIL TEMPERATURE -40° C +140° C

MAX WORKING PRESSURE HYDRAULIC MOTOR 200 bar (3050 psi)

MAX OIL CAPACITY 75 l/min.



REVOBLOCK 10

CARATTERISTICHE

- CONDIZIONI DI ESERCIZIO : PRESSIONE = 6 bar (90 psi)
TEMPERATURA = -15° C / +80° C
- GHISA SFEROIDALE AD ALTA RESISTENZA
- FORNITURA CON 2 OR PER ACCOPPIAMENTO
- TENUTA GARANTITA DA 1 O-RING E 1 TENUTA
- INGRASSAGGIO AGEVOLE
- ROTAZIONE DI 360°
- FILETTATURA CON MODULO AD ALTA RESISTENZA AD USURA
- IMPIANTO AUTO FRENANTE IN CASO DI MANCANZA DI PRESSIONE
- MONTAGGIO COME ELEMENTO STRUTTURALE SIA CON ASSE ORIZZONTALE CHE CON ASSE VERTICALE
- SOTTOPOSTO AD ANALISI DEI RISCHI FATTA SULLA LINEA GUIDA EN ISO 14121-1:2007
- COPERTURE DENTATURA SU RICHIESTA

MOTORI IDRAULICI REVOBLOCK 07/10

TEMPERATURA AMMISSIBILE DELL'OLIO -30° c +60° C

PRESSIONE MAX MOTORE IDRAULICO 165 bar CONTINUA (2475 psi)

PORTATA MAX OLIO 60 l/min. CONTINUA

MOTORI IDRAULICI REVOBLOCK 14

TEMPERATURA AMMISSIBILE DELL'OLIO -40 c +140 C

PRESSIONE MAX MOTORE IDRAULICO 200 bar CONTINUA (3050 psi)

PORTATA MAX OLIO 75 l/min. CONTINUA

NEW



REVOBLOCK 14

EIGENSCHAFTEN

- BETRIEBSBEDINGUNGEN : DRUCK = 6 bar (90 psi)
TEMPERATUR = -15° C / +80° C
- HOCH WIDERSTANDSFÄHIGES SPHÄROLITISCHES GUSSEISEN
- GELIEFERT MIT 2 O-RING FÜR ANSCHLUSS
- ABDICHTUNG MIT HILFE VON 1 O-RINGEN - 1 SEAL GARANTIERTE
- BEQUEMES SCHMIEREN
- DREHUNG UM 360°
- GEWINDE MIT VERSCHLEISSBESTÄNDIGES MODUL
- EIGENBREMSYSTEM BEI DRUCKVERLUST
- MONTAGE ALS BAUELEMENT SOWOHL MIT HORIZONTALER ALS AUCH VERTIKALER ACHSE
- RISIKOANALYSE GEMÄSS EN ISO 14121:2007
- ABDECKUNG DER ZAHNRÄDER AUF ANFRAGE

HYDRAULIKMOTOREN REVOBLOCK 07/10

ZULÄSSIGE ÖLTEMPERATUR -30° c +60° C

MAX DRUCK DES HYDRAULIKES MOTORS 165 bar DAUERND (2475 psi)

MAX DURCHFLUSSMENGE ÖL 60 l/min. DAUERND

HYDRAULIKMOTOREN REVOBLOCK 14

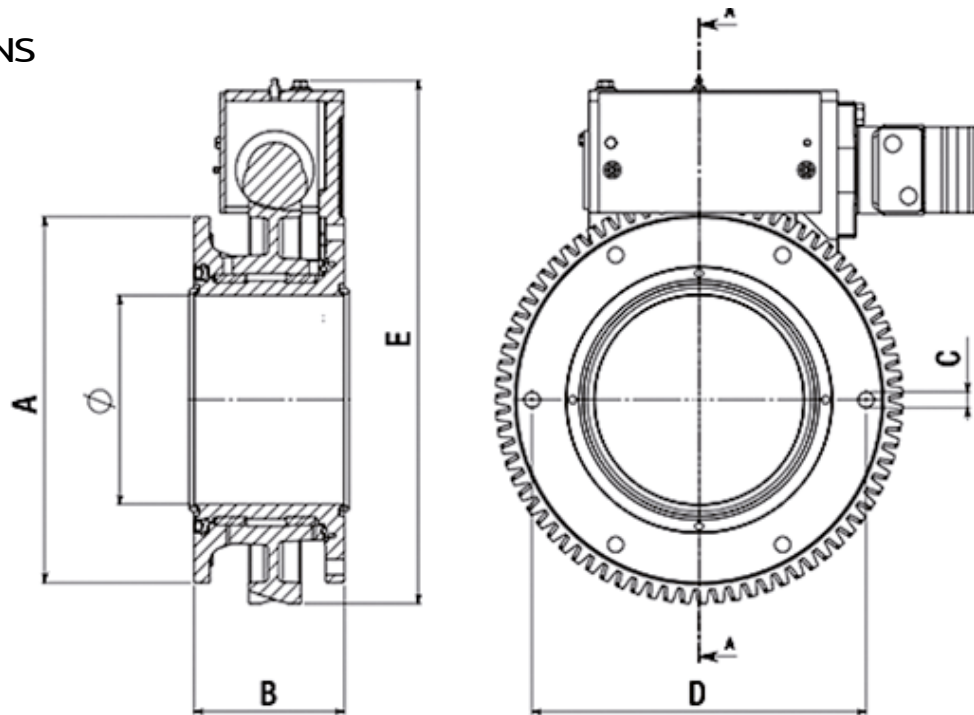
ZULÄSSIGE ÖLTEMPERATUR -40° c +140° C

MAX DRUCK DES HYDRAULIKES MOTORS 200 bar DAUERND (3050 psi)

MAX DURCHFLUSSMENGE ÖL 75 l/min. DAUERND



DIMENSIONS

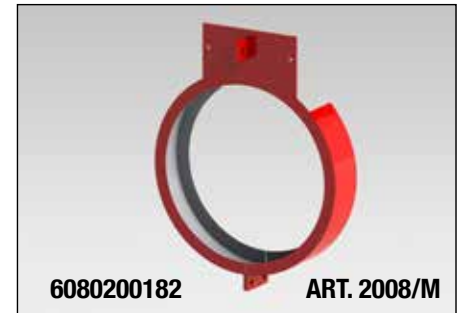
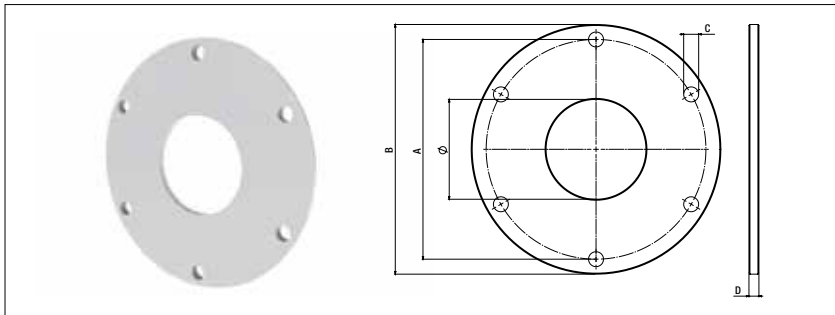


	CODE	Ø	A	B	C	D	E	N. Holes	N. TEETH	Kg	Article
REVOBLOCK 07-D200 w/motor	6080200313	200	350	144	15	320	500	6	75	58	2012/I
REVOBLOCK 07-D250 w/motor	6080200314	250	410	154	15	370	511	8	75	72	2012/K
REVOBLOCK 10-D200 w/motor	6080200289	200	350	144	15	320	500	6	80	65	2009/I
REVOBLOCK 14-D200 w/motor	6080200260	200	350	144	15	320	570	6	60	111	2015/I
REVOBLOCK 14-D250 w/motor	6080200393	250	410	154	15	370	570	8	60	108	2015/K

TECHNICAL DATA

		REVOBLOCK 07-D200	REVOBLOCK 10-D200	REVOBLOCK 07-D250	REVOBLOCK 14-D200	REVOBLOCK 14-D250
OPERATING TORSION TORQUE [Nm]	Mte	5500	8000	5500	13000	13000
MAXIMUM TORSION MOMENT [Nm]	Mtmax	7400	10000	7400	18000	18000
OPERATING FLEXING MOMENT [Nm]	Mfe	12000	12000	16000	16000	16000
MAXIMUM FLEXING MOMENT [Nm]	Mfmax	20000	20000	25000	25000	25000
MINIMUM STOP AFTER USE [s]	tstop	20	10	20	10	10
MAXIMUM DURATION OF OPERATION [min]	tgo	2	2	2	2	2
SCREW GREASE QUANTITY [cl]	qworm	15	10	15	10	10
GEAR GREASE QUANTITY [cl/90°]	qgear	20	15	20	15	15
LUBRICATION FREQUENCY [uses]	fgrease	30	50	30	50	50
DURABILITY FACTOR		1	3	1	5	5
REMOVABLE GEAR		NO	YES	NO	YES	YES
GEAR MATERIAL HYDRAULIC MOTOR		GJS600	BRAL	GJS600	BRAL	BRAL

OPTIONALS



Code	Ø	A	B	C	D	N. Holes	Kg	Article	
5010401003	200	320	350	15	10	6	4.8	2002/H	
5010401004	250	370	410	15	10	8	7	2002/I	
6080200182	Tothing cover for hydraulic Revoblock 07 - 10 / Ø 200 - Ø 250 Kit protezione per Revoblock 07 - 10 / Ø 200 - Ø 250								2008/M

REVOBLOCK 07 - 10 - Ø 200/250



RANGE OIL TEMPERATURE -30° C +60° C

MAX WORKING PRESSURE HYDRAULIC MOTOR 165 bar (2475 psi)

PRESSURE APPLICATION 140 bar (ART. 2601/D)

PRESSURE APPLICATION 80 bar (ART. 2601)

MAX OIL CAPACITY 60 l/min.

TEMPERATURA AMMISSIBILE DELL'OLIO -30° C +60° C

PRESSIONE MAX MOTORE IDRAULICO 165 bar CONTINUA (2475 psi)

PRESSIONE APPLICAZIONE 140 bar (ART. 2601/F)

PRESSIONE APPLICAZIONE 80 bar (ART. 2601)

PORTATA MAX OLIO 60 l/min. CONTINUA

REVOBLOCK 14 - Ø 200/250

RANGE OIL TEMPERATURE -40° C +140° C

MAX WORKING PRESSURE HYDRAULIC MOTOR 200 bar (3050 psi)

PRESSURE APPLICATION 140 bar

MAX OIL CAPACITY 75 l/min.

TEMPERATURA AMMISSIBILE DELL'OLIO -40° C +140° C

PRESSIONE MAX MOTORE IDRAULICO 200 bar CONTINUA (3050 psi)

PRESSIONE APPLICAZIONE 140 bar

PORTATA MAX OLIO 75 l/min. CONTINUA

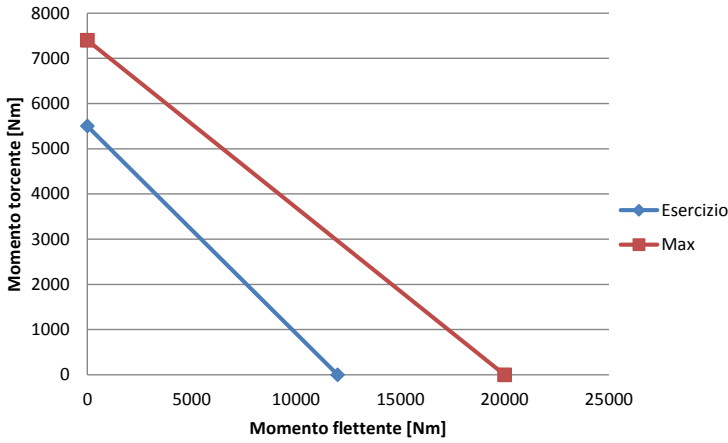
Code	Model	Hydraulic Swivel Joint Rpm	Kg	Article
5020400011	REVOBLOCK 07 - 10 - Ø 200/250	2,7	5.9	2601
5020400041	REVOBLOCK 14 - Ø 200/250	4	10.4	2601/E



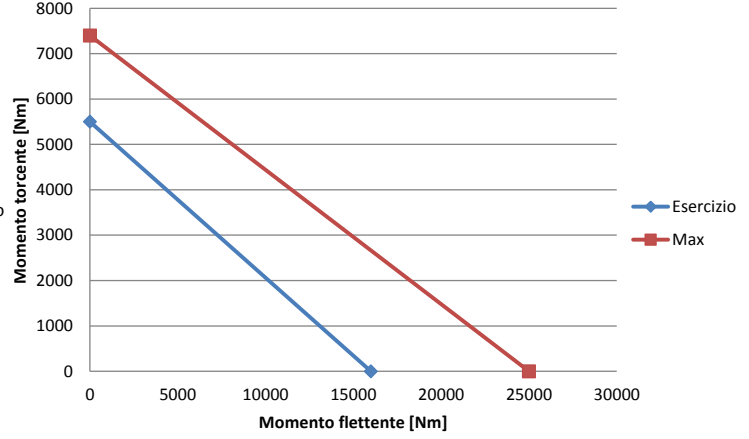


CHARTS

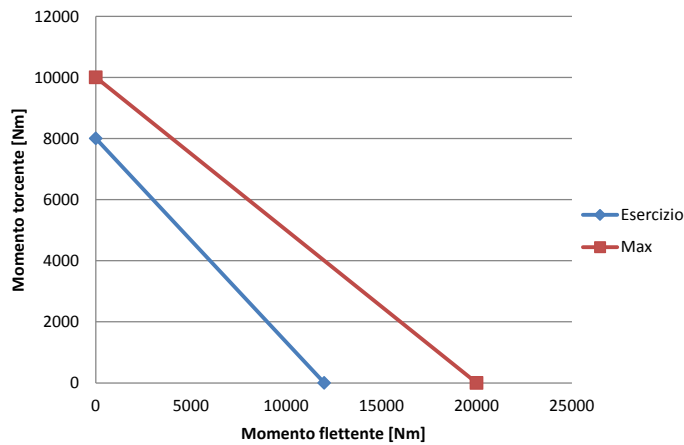
REVOBLOCK 07-D200



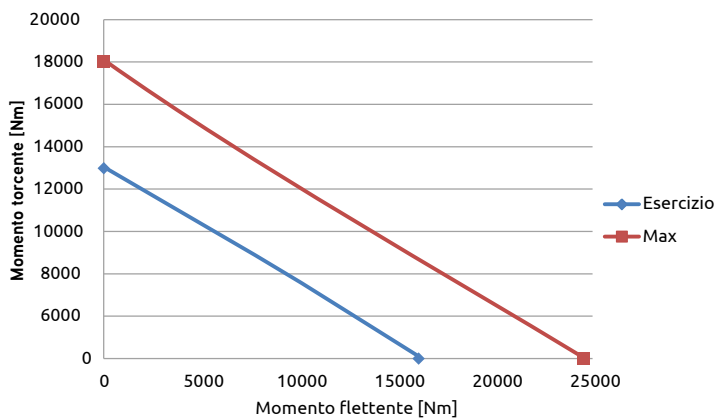
REVOBLOCK 07-D250



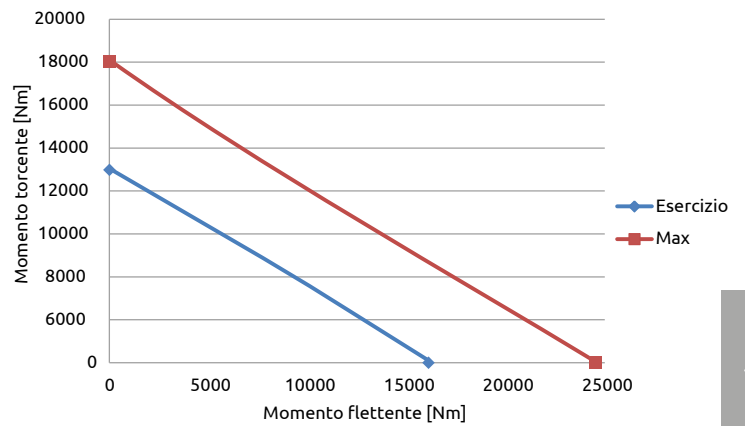
REVOBLOCK 10-D200



REVOBLOCK 14-D200



REVOBLOCK 14-D250





Battioni®
Pagani

Setting the pace since 1953



Battioni Pagani Pompe S.p.A.

Via Enzo Ferrari, 2
43058 Sorbolo (PR) - Italy

Ph. +39 0521 663203

Fax +39 0521 663206



www.bapag.it
info@bapag.it

